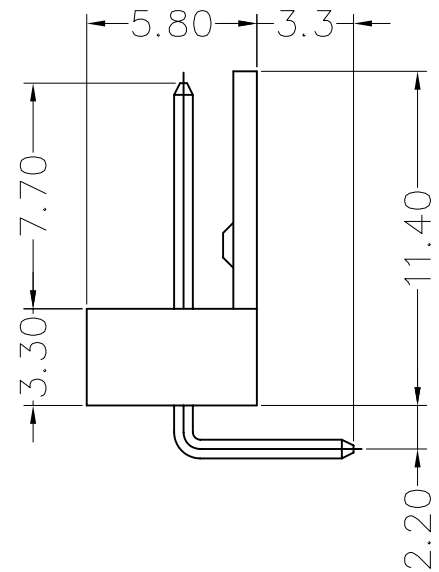
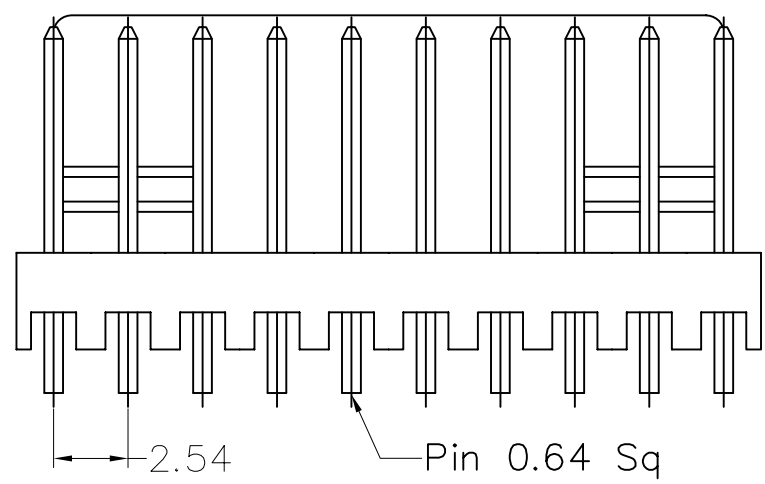
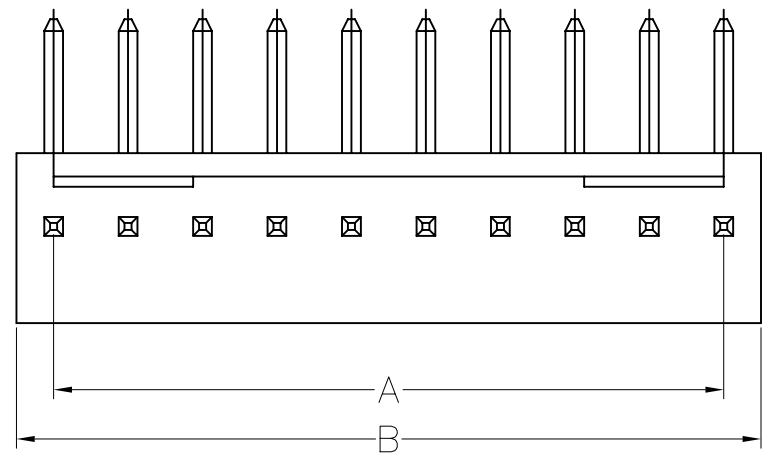


SPECIFICATIONS

Material: Nylon 66, UL94V-2
 Tin Plated Square Pin: 0.64mm
 Contact Material: Brass
 Finished: Tin-Plated/Gold-Plated



Circuits	Dimension	
	A	B
2	2.54	5.08
3	5.08	7.62
4	7.62	10.16
5	10.16	12.70
6	12.70	15.24
7	15.24	17.78
8	17.78	20.32
9	20.32	22.86
10	22.86	25.40
11	25.40	27.94
12	27.94	30.48
13	30.48	33.02
14	33.02	35.56
15	35.56	38.10
16	38.10	40.64
17	40.64	43.18
18	43.18	45.72
19	45.72	48.26
20	48.26	50.80

AUK A MEMBER OF AUK GROUP
太聯事業股份有限公司
AUK CONTRACTORS CO., LTD.

CATEGORY		APPROVED BY MEI		UNLESS OTHERWISE SPECIFIED TOLERANCES ARE .X ±0.20 .XX ±0.15 ANG. ±5°
PART No. MKXXR		CHECKED BY BECKY		
DRAWING No. MKXXR		DRAWING BY TCF		
SCALE NONE	REV. A0	UNIT mm		

NO.	REV.	REVISIONS	CHK	DATE
△ A0		NEW RELEASE		