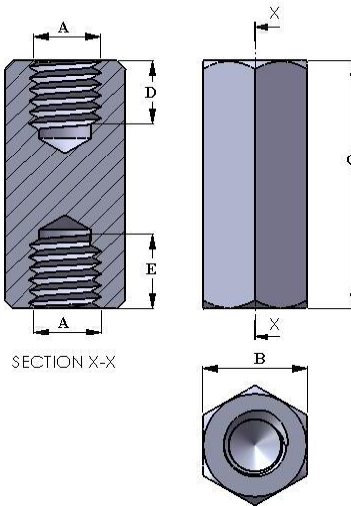


3/16 HEX Female Standoffs- Stainless Steel

Thread	Length	D	E	B
4-40	3/32	TAPPED THROUGH		3/16
4-40	1/8	TAPPED THROUGH		3/16
4-40	5/32	TAPPED THROUGH		3/16
4-40	3/16	TAPPED THROUGH		3/16
4-40	7/32	TAPPED THROUGH		3/16
4-40	1/4	TAPPED THROUGH		3/16
4-40	9/32	TAPPED THROUGH		3/16
4-40	5/16	TAPPED THROUGH		3/16
4-40	11/32	TAPPED THROUGH		3/16
4-40	3/8	TAPPED THROUGH		3/16
4-40	13/32	TAPPED THROUGH		3/16
4-40	7/16	TAPPED THROUGH		3/16
4-40	15/32	TAPPED THROUGH		3/16
4-40	1/2	TAPPED THROUGH		3/16
4-40	17/32	TAPPED THROUGH		3/16
4-40	9/16	TAPPED THROUGH		3/16
4-40	19/32	TAPPED THROUGH		3/16
4-40	5/8	TAPPED THROUGH		3/16
4-40	21/32	TAPPED THROUGH		3/16
4-40	11/16	TAPPED THROUGH		3/16
4-40	23/32	TAPPED THROUGH		3/16
4-40	3/4	TAPPED THROUGH		3/16
4-40	25/32	1/4	1/4	3/16
4-40	13/16	1/4	1/4	3/16
4-40	27/32	1/4	1/4	3/16
4-40	7/8	1/4	1/4	3/16
4-40	29/32	1/4	1/4	3/16
4-40	15/16	1/4	1/4	3/16
4-40	31/32	1/4	1/4	3/16
4-40	1"	1/4	1/4	3/16
4-40	1-1/16	1/4	1/4	3/16
4-40	1-1/8	1/4	1/4	3/16
4-40	1-3/16	1/4	1/4	3/16



Thread	Length	D	E	B
2-56	3/32	TAPPED THROUGH		3/16
2-56	1/8	TAPPED THROUGH		3/16
2-56	5/32	TAPPED THROUGH		3/16
2-56	3/16	TAPPED THROUGH		3/16
2-56	7/32	TAPPED THROUGH		3/16
2-56	1/4	TAPPED THROUGH		3/16
2-56	9/32	TAPPED THROUGH		3/16
2-56	5/16	TAPPED THROUGH		3/16
2-56	11/32	TAPPED THROUGH		3/16
2-56	3/8	TAPPED THROUGH		3/16
2-56	13/32	TAPPED THROUGH		3/16
2-56	7/16	TAPPED THROUGH		3/16
2-56	15/32	TAPPED THROUGH		3/16
2-56	1/2	TAPPED THROUGH		3/16
2-56	17/32	TAPPED THROUGH		3/16
2-56	9/16	TAPPED THROUGH		3/16
2-56	19/32	TAPPED THROUGH		3/16
2-56	5/8	TAPPED THROUGH		3/16
2-56	21/32	3/16	3/16	3/16
2-56	11/16	3/16	3/16	3/16
2-56	23/32	3/16	3/16	3/16
2-56	3/4	3/16	3/16	3/16
2-56	25/32	3/16	3/16	3/16
2-56	13/16	3/16	3/16	3/16
2-56	27/32	3/16	3/16	3/16
2-56	7/8	3/16	3/16	3/16
2-56	29/32	3/16	3/16	3/16
2-56	15/16	3/16	3/16	3/16
2-56	31/32	3/16	3/16	3/16
2-56	1"	3/16	3/16	3/16
2-56	1-1/16	3/16	3/16	3/16
2-56	1-1/8	3/16	3/16	3/16
2-56	1-3/16	3/16	3/16	3/16

4-40	1-1/4	1/4	1/4	3/16
4-40	1-5/16	1/4	1/4	3/16
4-40	1-3/8	1/4	1/4	3/16
4-40	1-7/16	1/4	1/4	3/16
4-40	1-1/2	1/4	1/4	3/16
4-40	1-9/16	1/4	1/4	3/16
4-40	1-5/8	1/4	1/4	3/16
4-40	1-11/16	1/4	1/4	3/16
4-40	1-3/4	1/4	1/4	3/16
4-40	1-13/16	1/4	1/4	3/16
4-40	1-7/8	1/4	1/4	3/16
4-40	1-15/16	1/4	1/4	3/16
4-40	2"	1/4	1/4	3/16
4-40	2-1/16	1/4	1/4	3/16
4-40	2-1/8	1/4	1/4	3/16
4-40	2-3/16	1/4	1/4	3/16
4-40	2-1/4	1/4	1/4	3/16
4-40	2-5/16	1/4	1/4	3/16
4-40	2-3/8	1/4	1/4	3/16
4-40	2-7/16	1/4	1/4	3/16
4-40	2-1/2	1/4	1/4	3/16
4-40	2-9/16	1/4	1/4	3/16
4-40	2-5/8	1/4	1/4	3/16
4-40	2-11/16	1/4	1/4	3/16
4-40	2-3/4	1/4	1/4	3/16
4-40	2-13/16	1/4	1/4	3/16
4-40	2-7/8	1/4	1/4	3/16
4-40	2-15/16	1/4	1/4	3/16
4-40	3"	1/4	1/4	3/16

2-56	1-1/4	3/16	3/16	3/16
2-56	1-5/16	3/16	3/16	3/16
2-56	1-3/8	3/16	3/16	3/16
2-56	1-7/16	3/16	3/16	3/16
2-56	1-1/2	3/16	3/16	3/16
2-56	1-9/16	3/16	3/16	3/16
2-56	1-5/8	3/16	3/16	3/16
2-56	1-11/16	3/16	3/16	3/16
2-56	1-3/4	3/16	3/16	3/16
2-56	1-13/16	3/16	3/16	3/16
2-56	1-7/8	3/16	3/16	3/16
2-56	1-15/16	3/16	3/16	3/16
2-56	2"	3/16	3/16	3/16
2-56	2-1/16	3/16	3/16	3/16
2-56	2-1/8	3/16	3/16	3/16
2-56	2-3/16	3/16	3/16	3/16
2-56	2-1/4	3/16	3/16	3/16
2-56	2-5/16	3/16	3/16	3/16
2-56	2-3/8	3/16	3/16	3/16
2-56	2-7/16	3/16	3/16	3/16
2-56	2-1/2	3/16	3/16	3/16
2-56	2-9/16	3/16	3/16	3/16
2-56	2-5/8	3/16	3/16	3/16
2-56	2-11/16	3/16	3/16	3/16
2-56	2-3/4	3/16	3/16	3/16
2-56	2-13/16	3/16	3/16	3/16
2-56	2-7/8	3/16	3/16	3/16
2-56	2-15/16	3/16	3/16	3/16
2-56	3"	3/16	3/16	3/16