



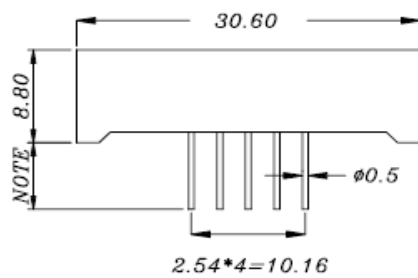
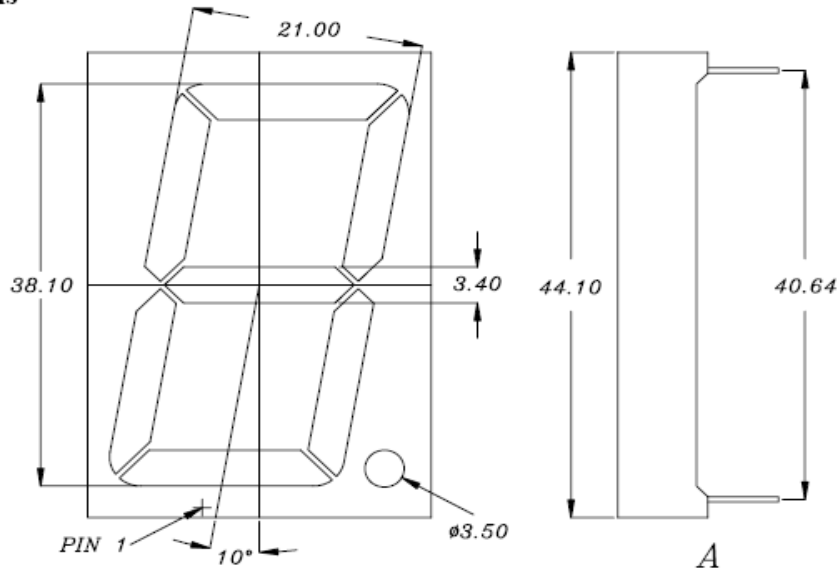
SHARLIGHT ELECTRONICS CO., LTD.

SPECIFICATION FOR APPROVAL

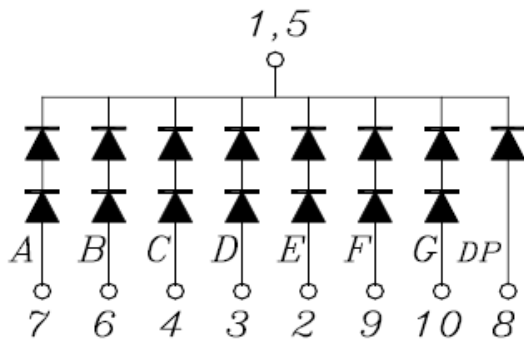
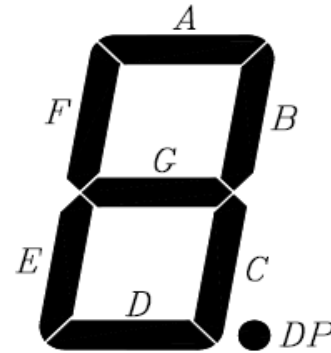
Part No. : CM1-1501500

Page : 1 of 2

Package Dimensions



NOTE	S	E	T
	2.46	3.0	4.98



- 1 COMMON CATHODE
- 2 ANODE E
- 3 ANODE D
- 4 ANODE C
- 5 COMMON CATHODE
- 6 ANODE B
- 7 ANODE A
- 8 ANODE DP
- 9 ANODE F
- 10 ANODE G

Notes:

1. All dimensions are in millimeters (inches).
2. Tolerance is $\pm 0.30\text{mm}(.010\text{'})$ unless otherwise noted.
3. Protruded resin under flange is $1.0\text{mm}(.04\text{'})$ max.
4. Lead spacing is measured where the leads emerge from the package.
5. Specifications are subject to change without notice.



Electrical / Optical Characteristics at TA=25°C

Parameter	Symbol	Min.	Typ.	Max.	Unit	Test Condition
Average Luminous Intensity	IV	15	20		mcd	IF = 20mA
Peak Emission Wavelength	λP		639		nm	IF = 20mA
Dominant Wavelength	λd	620	631	636	nm	IF = 20mA
Spectral Line Half-Width	$\Delta \lambda$		20		nm	IF = 20mA
Forward Voltage, any Segment or D..P.	VF		3.8	4.8	V	IF = 20mA
	VF(DP)		1.9	2.4		
Reverse Current, any Segment or D..P	IR			100	μA	VR = 5V
Luminous Intensity Matching Ratio	Iv-m			2:1		IF = 20mA

Absolute Maximum Ratings at TA=25°C

Parameter	Maximum Rating	Unit
Power Dissipation	45	mW
Peak Forward Current (1/10 Duty Cycle, 0.1ms Pulse Width)	100	mA
Continuous Forward Current	25	mA
Operating Temperature Range	-20°C to +80°C	
Storage Temperature Range	-55°C to +100°C	
Lead Soldering Temperature [1.6mm(.063") From Body]	260°C for 5 Seconds	

TYPICAL ELECTRON-OPTICAL CHARACTERISTIC CURVES
25°C Free Air Temperature Unless Otherwise Specified

