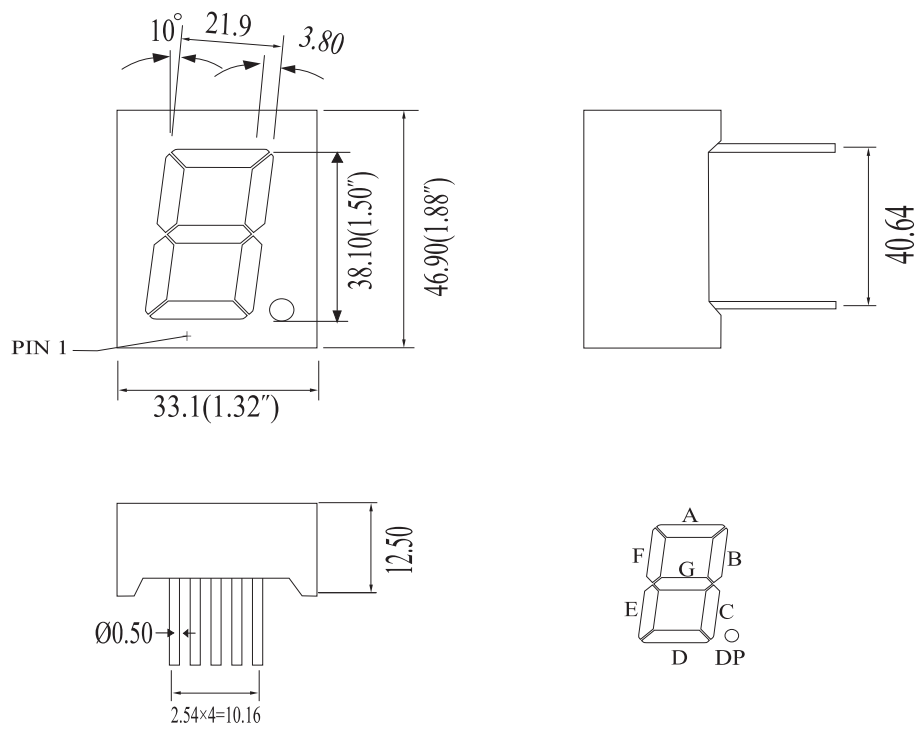


CM1-1502500-P5TR-SHA

### PACKAGE DIMENSION



UNIT: MM(INCH) TOLERANCE:  $\pm 0.25(0.01)$ "

### INTERNAL CIRCUIT DIAGRAM

