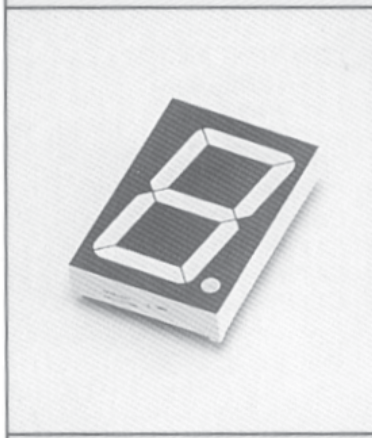
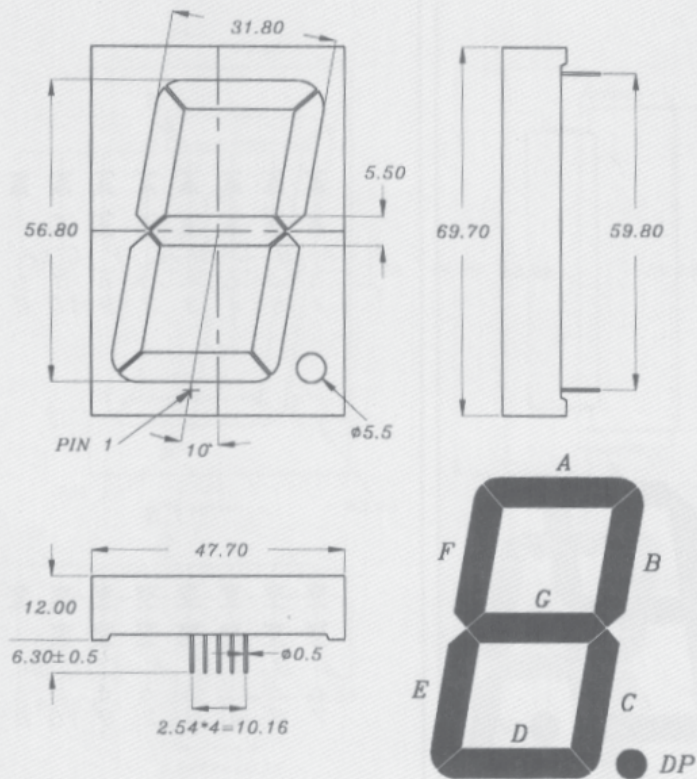
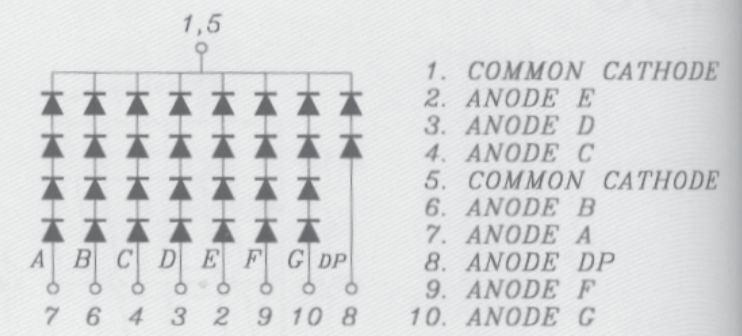


PACKAGE DIMENSIONS

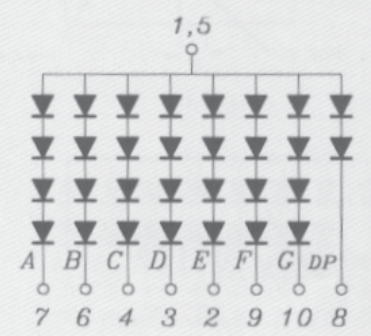
2.30"



INTERNAL CIRCUIT



- 1. COMMON CATHODE
- 2. ANODE E
- 3. ANODE D
- 4. ANODE C
- 5. COMMON CATHODE
- 6. ANODE B
- 7. ANODE A
- 8. ANODE DP
- 9. ANODE F
- 10. ANODE G



- 1 COMMON ANODE
- 2 CATHODE E
- 3 CATHODE D
- 4 CATHODE C
- 5 COMMON ANODE
- 6 CATHODE B
- 7 CATHODE A
- 8 CATHODE DP
- 9 CATHODE F
- 10 CATHODE G

PART NO	Emitting Color	IF=10mA Typ.	λP IF=20mA
CM1-230 1/2 200	Green	6.00 mcd	570 nm
CM1-230 1/2 300	Orange	6.00 mcd	625 nm
CM1-230 1/2 500	Hi-Effi	6.00 mcd	635 nm

PART NO	Emitting Color	IF=10mA Typ.	λP IF=20mA
CM1-230 1/2 G00	S/B Green	12.00 mcd	570 nm
CM1-230 1/2 L00	GaAlAs Red	15.00 mcd	660 nm
CM1-230 1/2 U00	GaAlAs Red	30.00 mcd	660 nm