

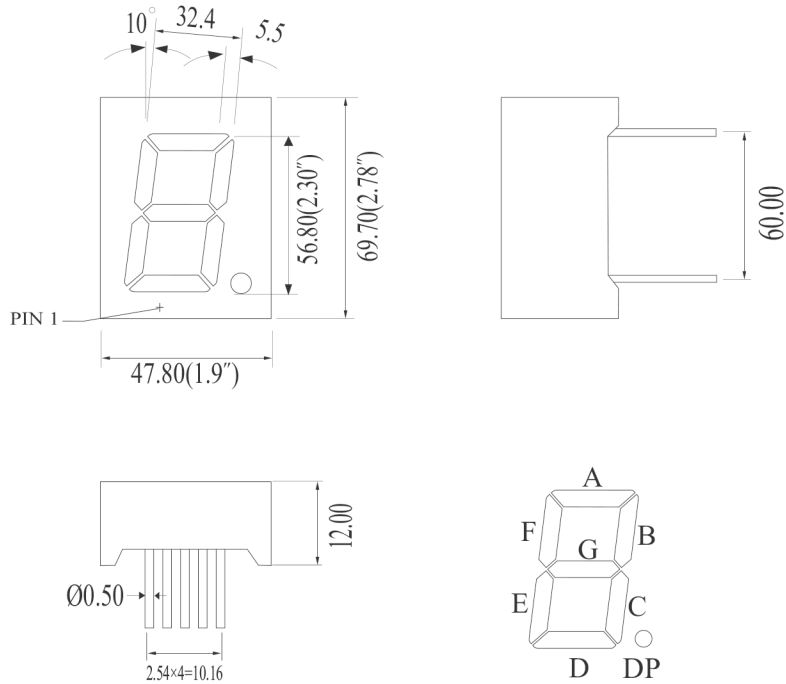


SHARLIGHT ELECTRONICS CO., LTD.

SPECIFICATION FOR APPROVAL

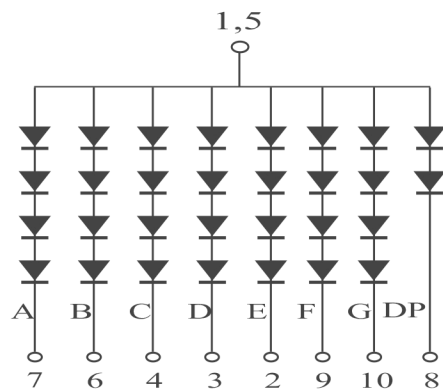
CM1-2302500-H

PACKAGE DIMENSION



UNIT: MM(INCH) TOLERANCE: $\pm 0.25(0.01)$

INTERNAL CIRCUIT DIAGRAM





SHARLIGHT ELECTRONICS CO., LTD.

SPECIFICATION FOR APPROVAL

CM1-2302500-H

CHIPS

Chip Material: AlGaInP / GaAs Ultra Bright Red LED Chip

ABSOLUTE MAXIMUM RATINGS (Ta = 25°C)

PARAMETER	SYMBOL	MAXIMUM RATING	UNIT
Power Dissipation	P _D	72	mW
Peak Forward Current (1/10 Duty Cycle, 0.1 Ms Pulse Width)	I _{PEAK}	90	mA
DC Forward Current	I _F	30	mA
Reverse Voltage	V _R	5	V
Operating Temperature Range	T _A	-40°C to +85°C	
Storage Temperature Range	T _{STG}	-40°C to +85°C	

Solder temperature 1/16 inch below seating plane for 3 seconds at 260°C

ELECTRICAL OPTICAL CHARACTER AND CURVES (Ta = 25°C)

PARAMETER	SYMBOL	MIN	TYP	MAX	UNIT	LOCATION	TEST CONDITION
Forward Voltage	V _F	-	2.05	2.40	V	Per Chip	I _F = 20mA
Luminous Intensity	I _v	46.0	50.0	60.0	mcd	Per Chip	I _F = 20mA
Peak Emission Wavelength	λ _p	-	645	-	nm	Per Chip	I _F = 20mA
Dominant Emission Wavelength	λ _d	625	630	635	nm	Per Chip	I _F = 20mA
Spectral Line Half-Width	Δλ _{1/2}	-	20	-	nm	Per Chip	I _F = 20mA
Capacitance	C	-	95	-	pF	Per Chip	V _F = 0V; f = 1MHz
Reverse Current	I _R	-	-	10	uA	Per Chip	V _R = 5V

Note:

1. Luminous intensity tolerance is ±10%;
2. Dominant Emission Wavelength tolerance is ±5%.