



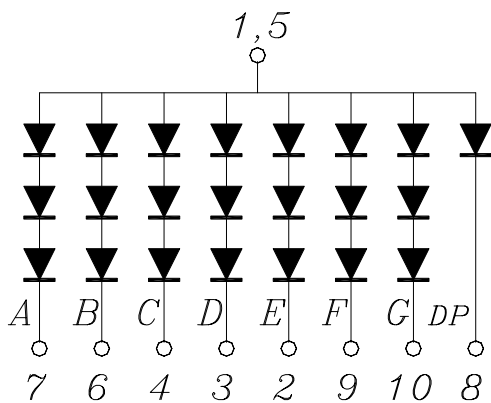
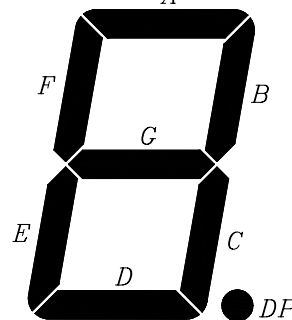
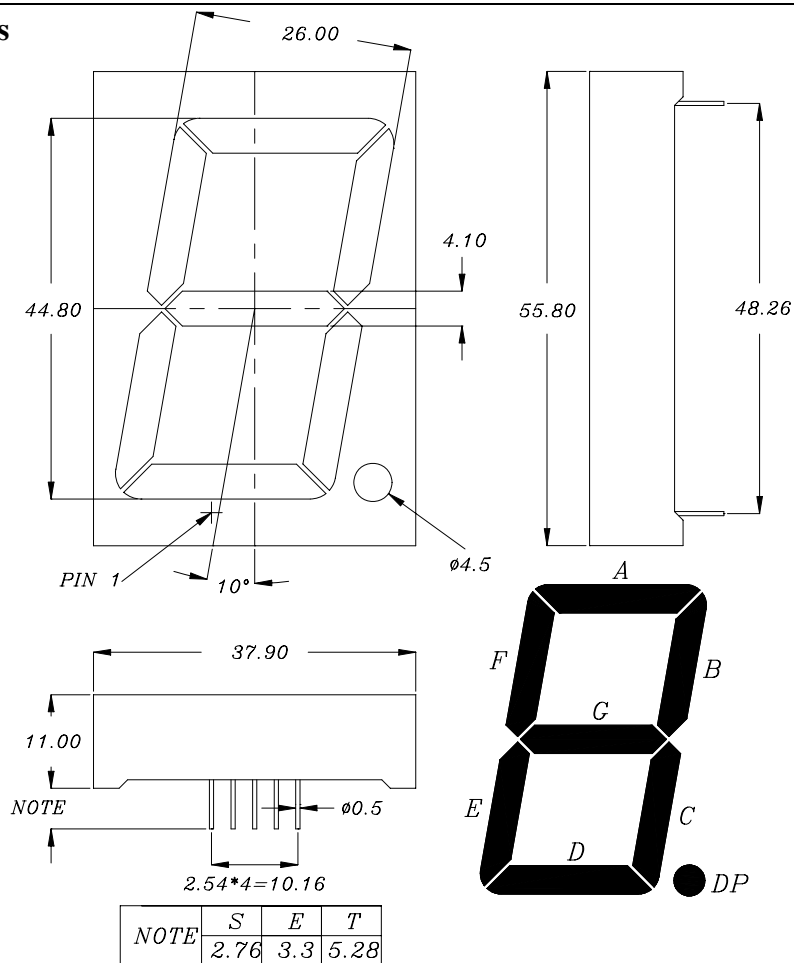
# SHARLIGHT ELECTRONICS CO., LTD.

## SPECIFICATION FOR APPROVAL

Part No. : CM1-1802L00

Page : 1 of 2

### Package Dimensions



- 1 COMMON ANODE
- 2 CATHODE E
- 3 CATHODE D
- 4 CATHODE C
- 5 COMMON ANODE
- 6 CATHODE B
- 7 CATHODE A
- 8 CATHODE DP
- 9 CATHODE F
- 10 CATHODE G

**Notes:**

1. All dimensions are in millimeters (inches).
2. Tolerance is  $\pm 0.30\text{mm}(.010\text{'})$  unless otherwise noted.
3. Protruded resin under flange is  $1.0\text{mm}(.04\text{'})$  max.
4. Lead spacing is measured where the leads emerge from the package.
5. Specifications are subject to change without notice.



**Electrical / Optical Characteristics at TA=25°C**

Parameter	Symbol	Min.	Typ.	Max.	Unit	Test Condition
Average Luminous Intensity	IV	20	30		mcd	IF = 20mA
Peak Emission Wavelength	$\lambda P$		660		nm	IF = 20mA
Dominant Wavelength	$\lambda d$	635	639	650		IF = 20mA
Spectral Line Half-Width	$\Delta \lambda$		20		nm	IF = 20mA
Forward Voltage, any Segment or D..P.	VF		5.4	5.9	V	IF = 20mA
	VF(DP)		1.9	2.4		
Reverse Current, any Segment or D..P	IR			100	$\mu A$	VR = 5V
Luminous Intensity Matching Ratio	Iv-m			2:1		IF = 20mA

**Absolute Maximum Ratings at TA=25°C**

Parameter	Maximum Rating	Unit
Power Dissipation	45	mW
Peak Forward Current (1/10 Duty Cycle, 0.1ms Pulse Width)	90	mA
Continuous Forward Current	20	mA
Reverse Voltage	5	V
Operating Temperature Range	-20°C to + 80°C	
Storage Temperature Range	-55°C to + 100°C	
Lead Soldering Temperature [1.6mm(.063") From Body]	260°C for 5 Seconds	

TYPICAL ELECTRON-OPTICAL CHARACTERISTIC CURVES  
25°C Free Air Temperature Unless Otherwise Specified

