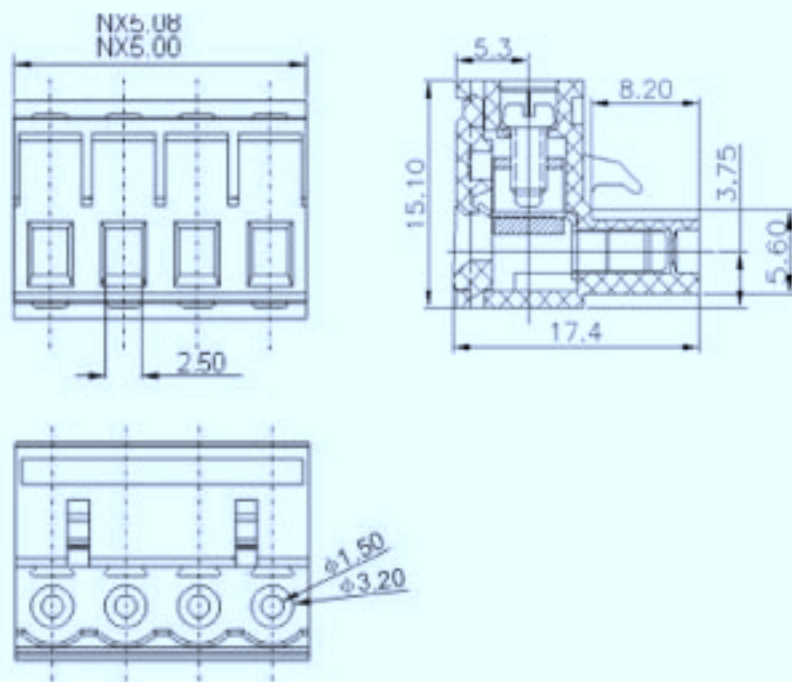




**2EDGK-5.0**  
**2EDGK-5.08**



<b>APPROVAL</b>		
<b>Electrical</b>		
Standard	UL	IEC
Rated voltage	300V	320V
Rated current	15A	20A
Wire range	28-12AWG	2.5mm <sup>2</sup>
Withstanding voltage	AC2500V/1Min	
<b>Mechanical</b>		
Torque	0.4Nm(3.5Lb-In)	
Ambient temperature	-40℃~+105℃	
Strip length	7mm	
<b>Dimensions</b>		
Pitch	5.0mm(.197" ) 5.08mm(.200" )	
Poles	2P-24P	
<b>Material</b>		
Housing	PA66,UL94 V-0	
Screws	M2.5,Steel, Cr <sup>3+</sup> Zn-plated	
Contact	Phosphor bronze	
Cage	Brass,Ni-plated	

### HOW TO ORDER :

-   P -  1  -  X  X  X  
Customer Request

**Series number**      **No. of pole**      **Color**

1	Single pitch
2	Double pitch

1	Grey	4	Green	7	Trans. Paint
2	Blue	5	Orange	8	Yellow
3	Black	6	Red	9	White

 mm (INCH)	 <b>DEGSON ELECTRONICS CO., LTD.</b>
 <small>THIS DRAWING IS UNLESS OTHERWISE SPECIFIED</small>	<b>NAME</b> <b>2EDGK-5.0 2EDGK-5.08</b>