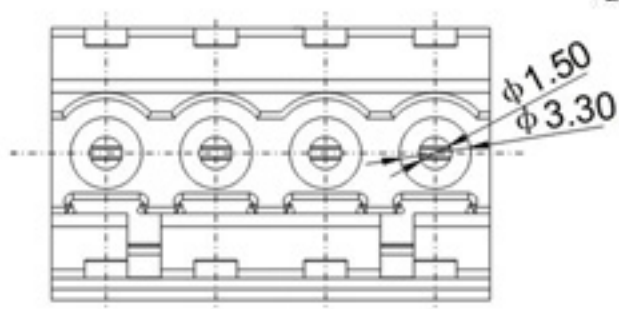
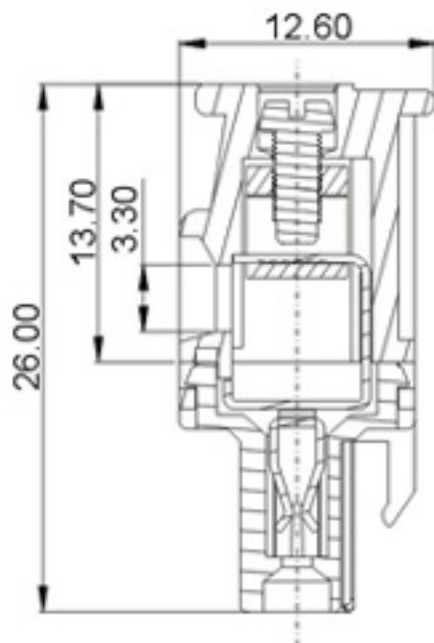
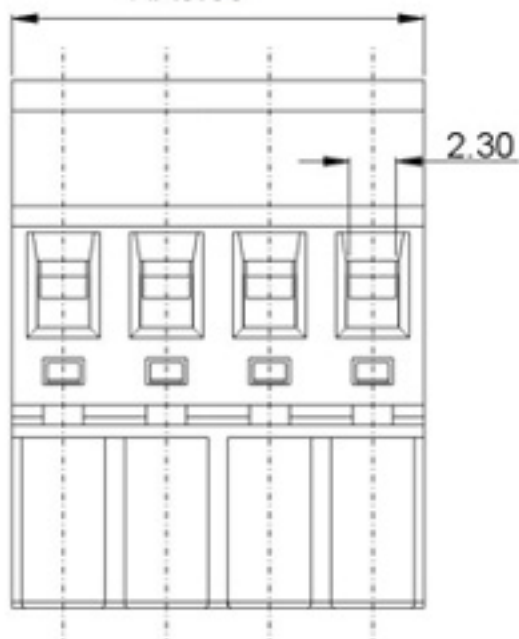




NX7.62-1.8  
 NX7.50-1.8  
 NX5.08  
 NX5.00



REV.	DESCRIPTION	DRAWN	CHECKED	APPROVED
A	NEW RELEASE	TYF 06/04/05'		

- MATERIAL  
 CONTACT : PHOSPHOR BRONZE  
 SCREWS : M2.5 STEEL ZINC PLATED  
 HOUSING : PA66, UL94V-0
- ELECTRICAL  
 RATED VOLTAGE : 300V  
 RATED CURRENT : 16A  
 CONTACT RESISTANCE : 20m $\Omega$   
 INSULATION RESISTANCE : 5000M $\Omega$ /1000V  
 WITHSTANDING VOLTAGE : AC1500V/1Min  
 WIRE RANGE : 28-12AWG 2.5mm<sup>2</sup>
- MECHANICAL  
 TEMP.RANGE : -40 $^{\circ}$ C~+105 $^{\circ}$ C  
 MAX SOLDERING : +250 $^{\circ}$ C, FOR 5 SEC.  
 TORQUE : 0.5Nm(4.5IB.IN)  
 STRIP LENGTH : 7-8mm

PRODUCT NUMBER CODE:  
 KF2EDGKB- X X X X

TABLE A

TYPE	Dimension
	A
1	5.00
2	5.08
3	7.50
4	7.62

HOUSING COLOR  
 B:BLACK G:GREEN  
 CONTACT PLATING  
 0:GOLD FLASH 6: TIN  
 CONNECTOR TYPE  
 P:PLUG S:SOCKET  
 No.OF CONTACTS  
 02 03 08 16  
 SERIES No.

GENERAL TOLERANCE		ANGLE TOLERANCE		PROJECTION	TITLE
X.	$\pm 0.60$	X.	$\pm 5^{\circ}$		PLUGGABLE TERMINAL BLOCKS PITCH 5.00,5.08,7.5,7.62MM
.X	$\pm 0.38$	.X	$\pm 3^{\circ}$	mm	
.XX	$\pm 0.25$	.XX	$\pm 2^{\circ}$	A4	
DRAWING TYPE		CUSTOMER		SHEET SIZE	SERIES
SCALE		1:1		KF2EDGK SERIES	
DRAWING NO.		KF2EDGK-XXXX		1 OF 1	